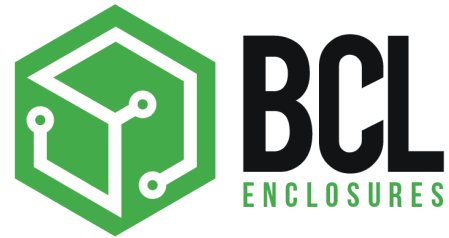


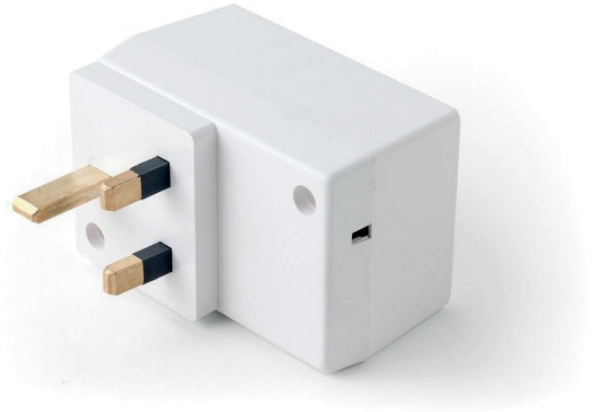
Technical Information: POWER SUPPLY CASES 13A STYLE PLUG-IN POWER SUPPLY CASE



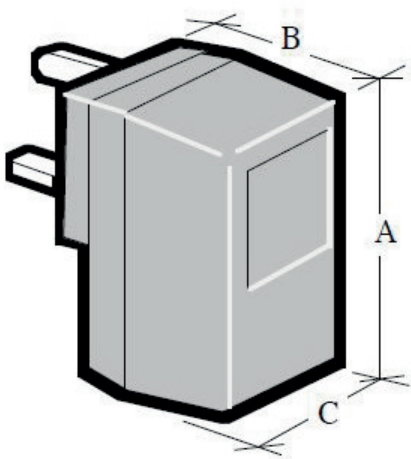
OVERVIEW

A battery eliminator style case moulded in black or white ABS with a choice of either plastic or brass earth pins (MEP). The two halves are held together by two self-tapping screws accessible from the 13A pin side of the case.

Solder spills are provided for direct connection to a transformer.



PART NO	A (MM)	OVERALL DIMENSIONS B (MM)	C (MM)	COLOUR	EARTH PIN
PS5	79	50	53	Black	Plastic Earth Pin
PS5W	79	50	53	White	Plastic Earth Pin
PS5WFR	79	50	53	White	Plastic Earth Pin
PS5MEP	79	50	53	Black	Metal Earth Pin
PS5MEPW	79	50	53	White	Metal Earth Pin
PS5MEPFR	79	50	53	Black	Metal Earth Pin



VIEW OUR ENTIRE RANGE AT [BCLENCLOSURES.COM](https://www.bclenclosures.com)

